
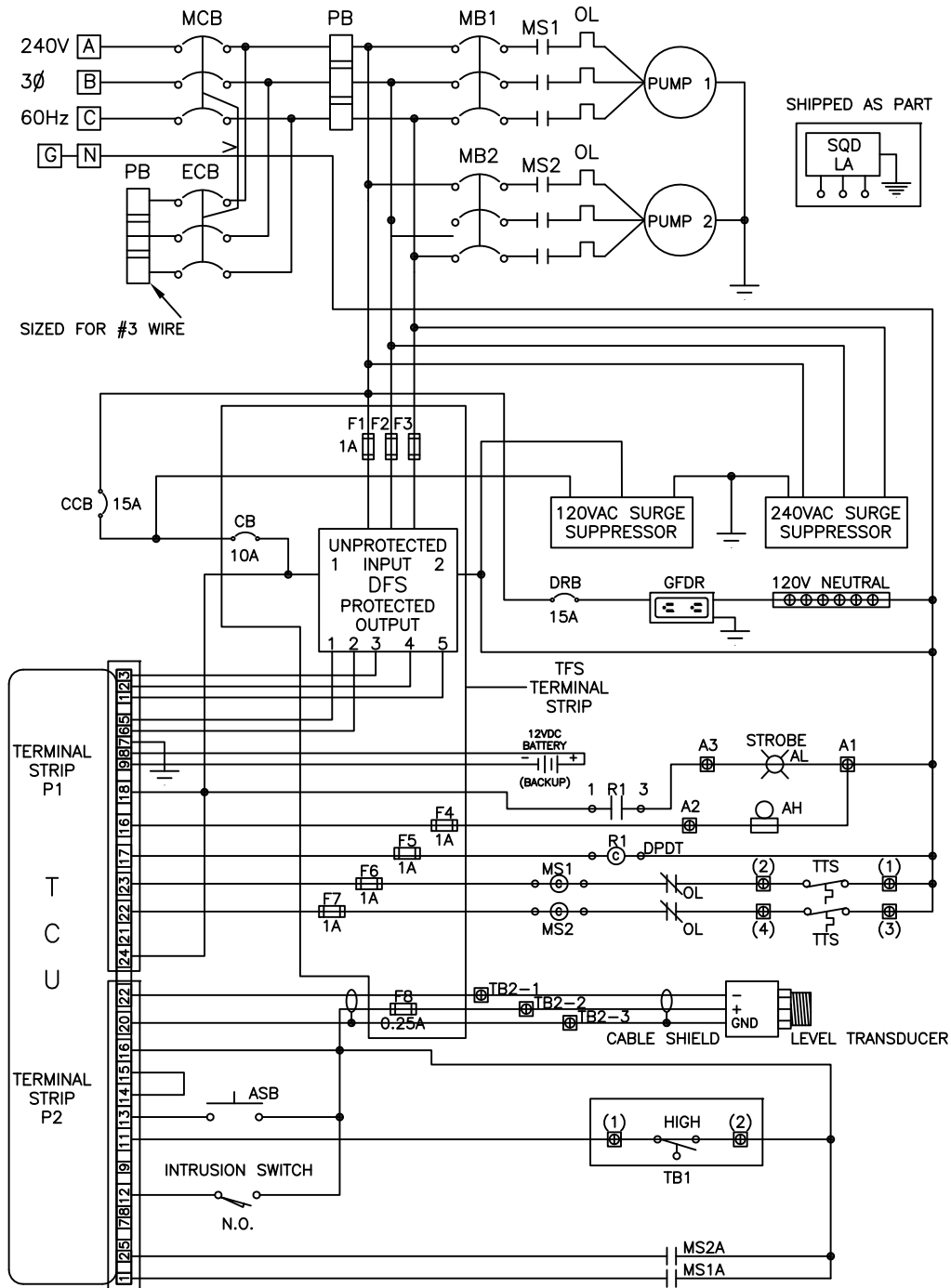


OUTER DOOR REMOVED TO SHOW DEADFRONT LAYOUT  
 NEMA TYPE 3R 304 SS ENCLOSURE WITH CONT. HINGE  
 ALL HARDWARE STAINLESS STEEL  
 TYPICAL, ACTUAL LAYOUT MAY VARY LAYOUT  
 3 PT. LATCH (NOT SHOWN)  
 OUTER BOX SHALL BE A MINIMUM OR 24' W X 36' H X 10" D  
 UL 508A LISTED PANEL

LAST REVISION	NOV. 2017	<b>DUPLEX CONTROL PANEL</b> <b>ENCLOSURE LAYOUT</b> <b>240V/480V- 3 PH</b>	 <b>ENGLEWOOD WATER DISTRICT</b> 201 SELMA AVENUE ENGLEWOOD, FLORIDA 34223
CHECKED	KRL		
APPROVED	PZ		



**LEGEND**

- |      |                                  |     |                           |
|------|----------------------------------|-----|---------------------------|
| AB   | - ALARM BELL                     | GR  | - GENERATOR RECEPTACLE    |
| AL   | - ALARM LIGHT                    | LA  | - LIGHTING ARRESTOR       |
| ASB  | - ALARM SILENCE BUTTON           | MB  | - MOTOR BREAKER           |
| CB   | - CIRCUIT BREAKER                | MCB | - MAIN CIRCUIT BREAKER    |
| CCB  | - CONTROL CIRCUIT BREAKER        | MS  | - MOTOR STARTER           |
| DFS  | - DATA FLOW SYSTEMS              | OL  | - OVERLOAD                |
| DPDT | - DOUBLE POLE DOUBLE THROW       | PB  | - POWER BLOCK             |
| DRB  | - DUPLEX RECEPTACLE BREAKER      | PCU | - PUMP CONTROL UNIT       |
| ECB  | - EMERGENCY CIRCUIT BREAKER      | R   | - RELAY                   |
| F    | - FUSE                           | TB  | - TERMINAL BLOCK          |
| FL   | - FLASHER                        | TFS | - TRANSIENT FILTER SHIELD |
| GFDR | - GROUND FAULT DUPLEX RECEPTACLE | TTS | - THERMAL TERMINAL STRIP  |